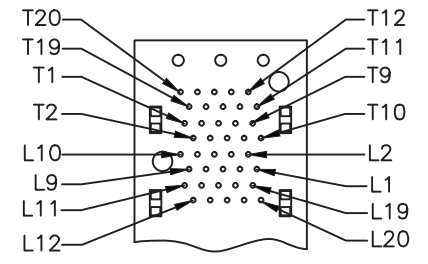
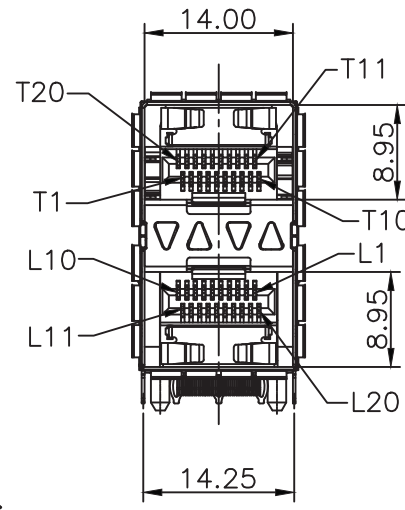
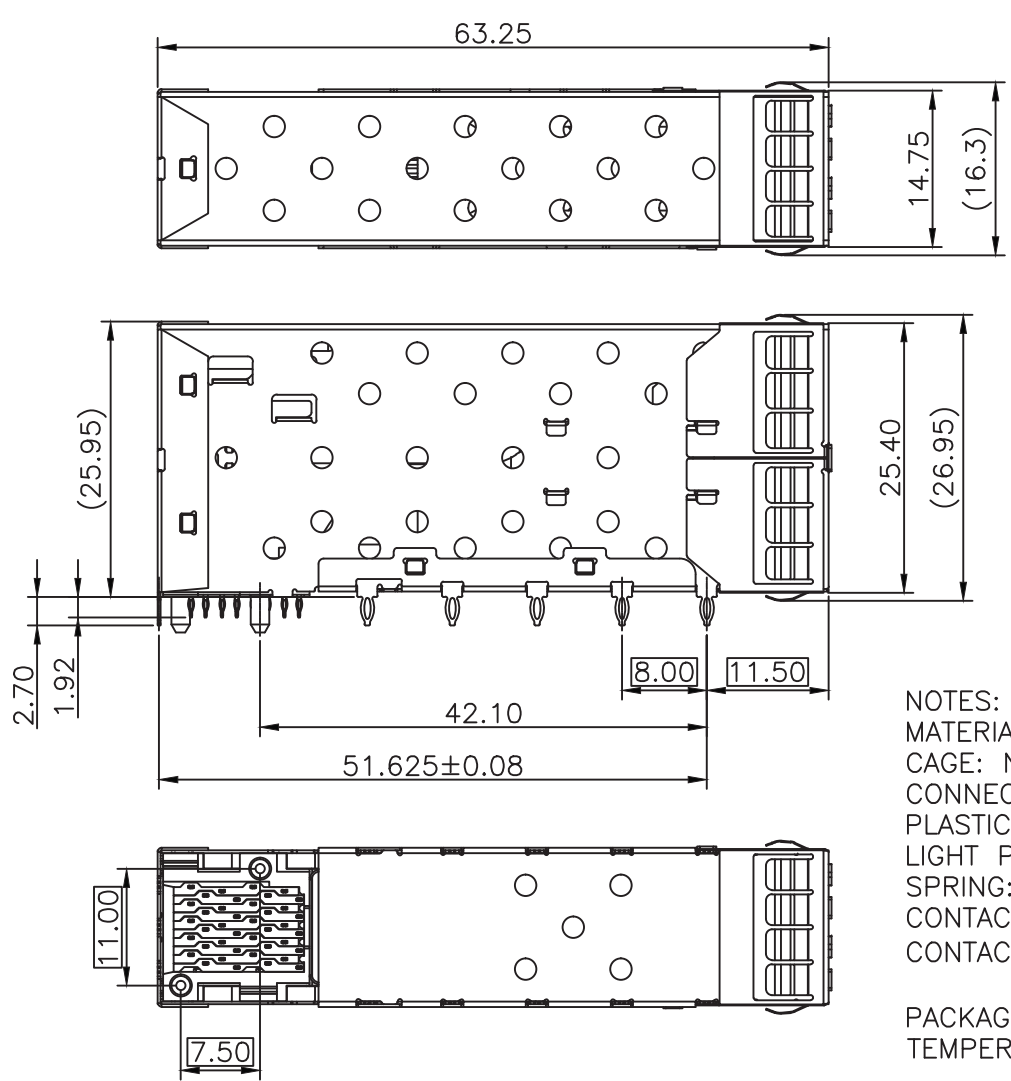


REV	DESCRIPTION OF CHANGE	REVIEWED BY	ISSUE DATE
A	FIRST ISSUE	Iror	2017-03-16
B	ADD DIMENSIONS	Iror	2018-04-26

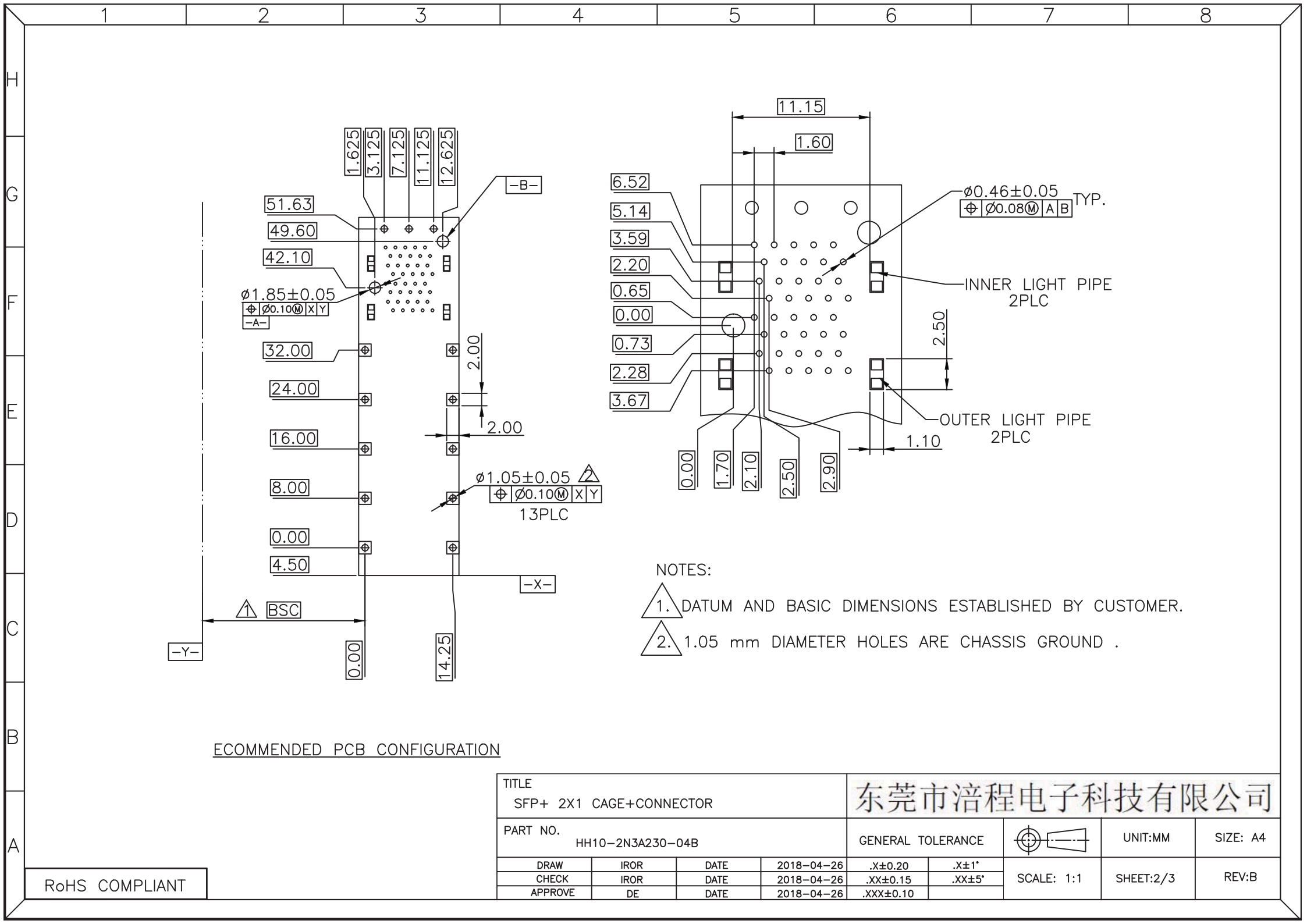


CONNECTOR PIN-OUT
COMPONENT SIDE OF BOARD

NOTES:
MATERIAL:
CAGE: NICKEL SILVER
CONNECTOR:
PLASTIC HOUSING: HIGH TEMPERATURE LCP, UL94 V-0.
LIGHT PIPE: POLYCARBONATE; COLOR: CLEAR
SPRING: STAINLESS STEEL
CONTACTS: PHOSPHOR BRONZE
CONTACT PLATING: 15u" MIN. GOLD ON MATING AREA,
150u" MATTE TIN ON SOLDER TAILS
PACKAGING: TRAY PACKAGING.
TEMPERATURE RANGE: -40°C TO +85°C

TITLE					东莞市涪程电子科技有限公司				
SFP+ 2X1 CAGE+CONNECTOR									
PART NO.					GENERAL TOLERANCE		UNIT:MM		SIZE: A4
HH10-2N3A230-04B									
DRAW	IROR	DATE	2018-04-26	.X±0.20	.X±1"	SCALE: 1:1		SHEET:1/3	REV:B
CHECK	IROR	DATE	2018-04-26	.XX±0.15	.XX±5"				
APPROVE	DE	DATE	2018-04-26	.XXX±0.10					

RoHS COMPLIANT



$\phi 1.85 \pm 0.05$
 $\phi \phi 0.10 \text{ (M) X|Y}$
 -A-

$\phi 1.05 \pm 0.05$
 $\phi \phi 0.10 \text{ (M) X|Y}$
 13PLC

$\phi 0.46 \pm 0.05$
 $\phi \phi 0.08 \text{ (M) A|B}$ TYP.

INNER LIGHT PIPE
 2PLC

OUTER LIGHT PIPE
 2PLC

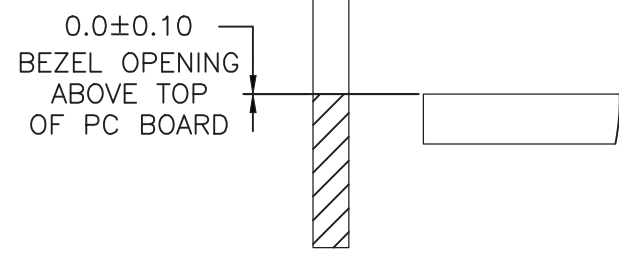
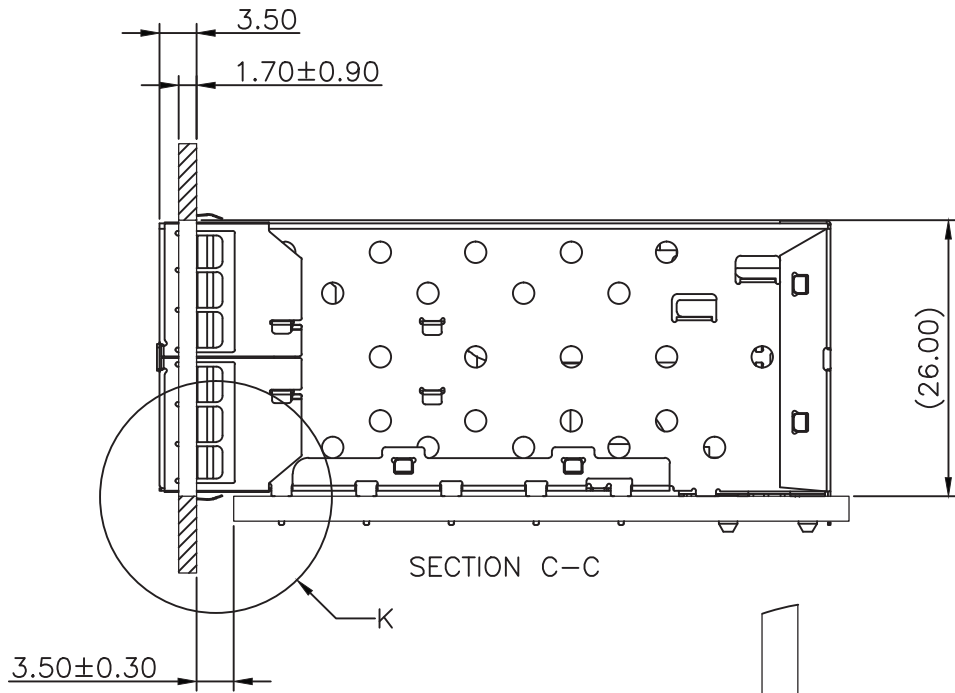
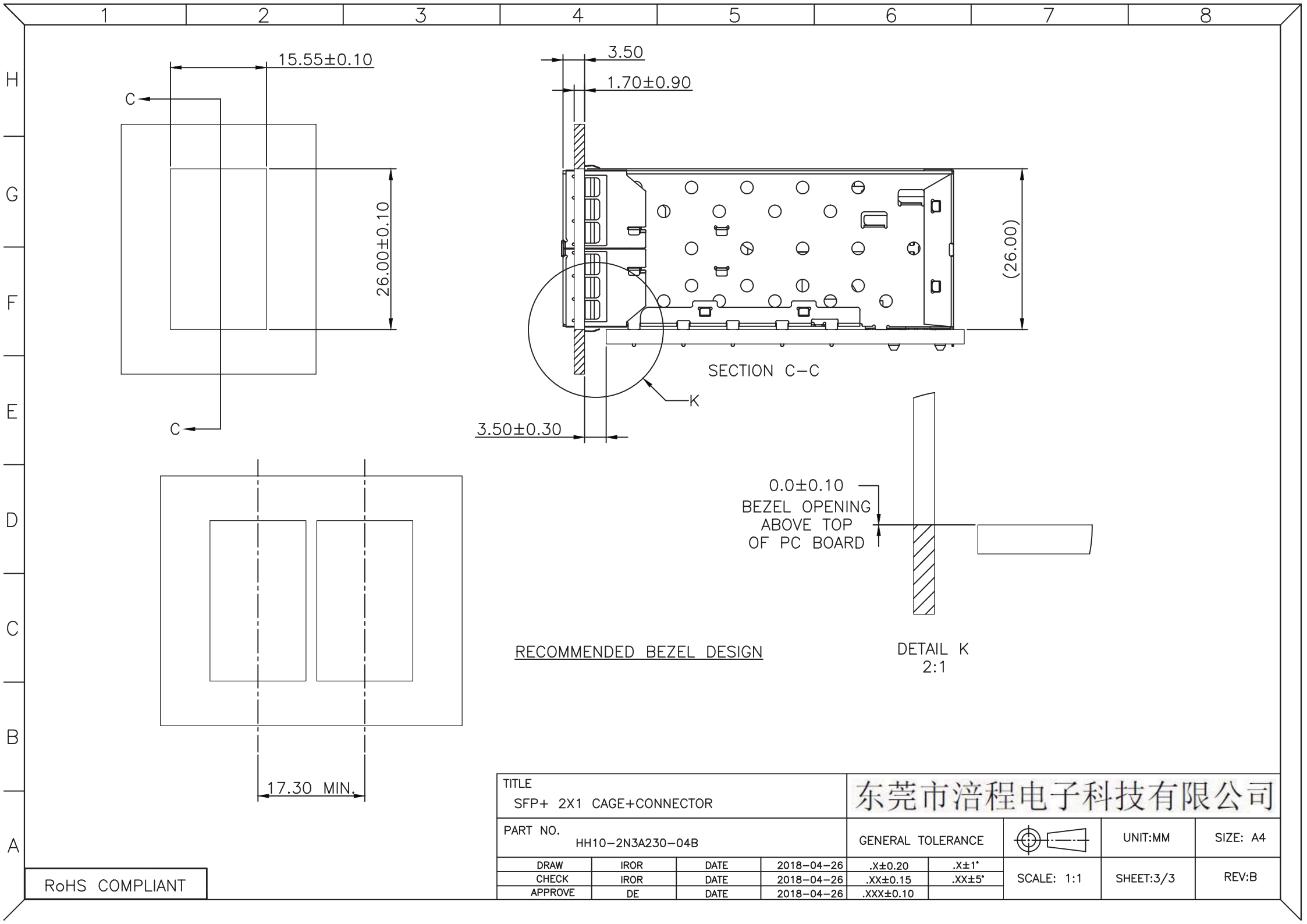
NOTES:

1. DATUM AND BASIC DIMENSIONS ESTABLISHED BY CUSTOMER.
2. 1.05 mm DIAMETER HOLES ARE CHASSIS GROUND .

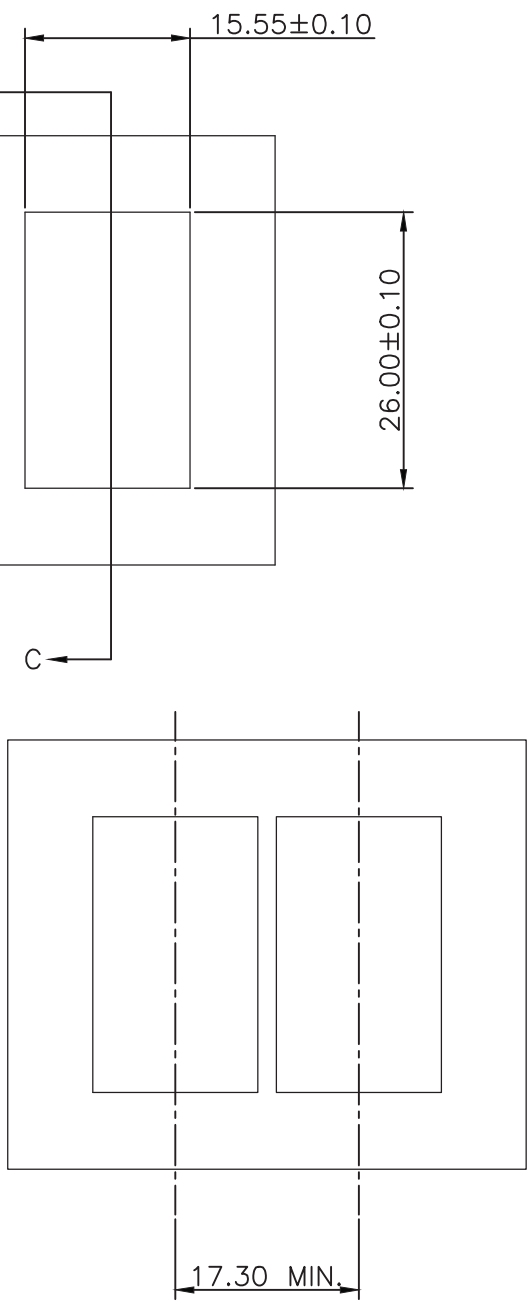
ECOMMENDED PCB CONFIGURATION

TITLE				东莞市涪程电子科技有限公司				
SFP+ 2X1 CAGE+CONNECTOR								
PART NO.				GENERAL TOLERANCE			UNIT:MM	SIZE: A4
HH10-2N3A230-04B								
DRAW	IROR	DATE	2018-04-26	.X±0.20	.X±1*	SCALE: 1:1	SHEET:2/3	REV:B
CHECK	IROR	DATE	2018-04-26	.XX±0.15	.XX±5*			
APPROVE	DE	DATE	2018-04-26	.XXX±0.10				

RoHS COMPLIANT



RECOMMENDED BEZEL DESIGN



TITLE				东莞市涪程电子科技有限公司				
SFP+ 2X1 CAGE+CONNECTOR								
PART NO.				GENERAL TOLERANCE			UNIT:MM	SIZE: A4
HH10-2N3A230-04B								
DRAW	IROR	DATE	2018-04-26	.X±0.20	.X±1*	SCALE: 1:1	SHEET:3/3	REV:B
CHECK	IROR	DATE	2018-04-26	.XX±0.15	.XX±5*			
APPROVE	DE	DATE	2018-04-26	.XXX±0.10				

RoHS COMPLIANT